

Three-way ball valve 7620

- Female thread 1/4" – 2"
- L-port or T-port ball
- Double stem gaskets
- Horizontal model



Description

3-way ball valve with reduced bore.

Construction

Three-way horizontal ball valve with reduced bore and L-port or T-port ball. Gaskets in PTFE and FPM. Connects with female thread 1/4" – 2". Washer with direction indicator.

Marking

DN, PN and "L" or "T" on handle.

Maintenance

The ball valve must be operated periodically, two to three times a year.

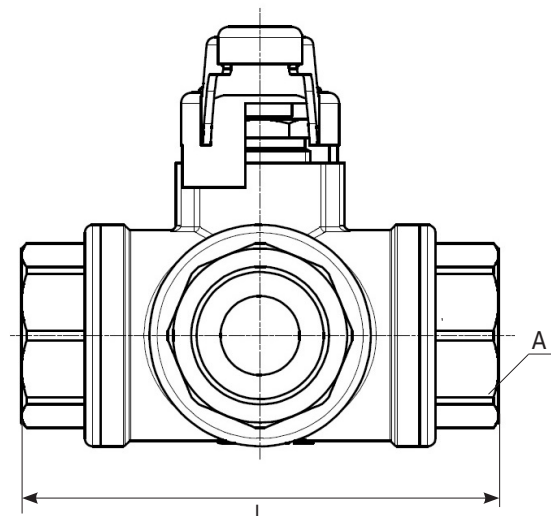
Variants

Red or blue handle on T-port model 3/8". The 1" T-port model is also available with a 180° reversed ball.

Technical data

Body	Nickel-plated brass CW617N
Ball seal	PTFE
Stem gaskets (1/4" – 1 1/4")	PTFE and FPM
Stem gaskets (1 1/2" – 2")	FPM/FPM

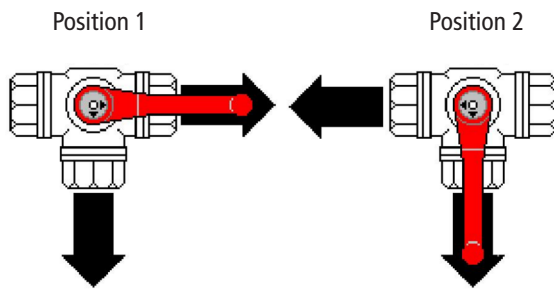
Maximum working pressure: 40 bar
 Maximum working temperature: +100°C
 Minimum working temperature: –10°C



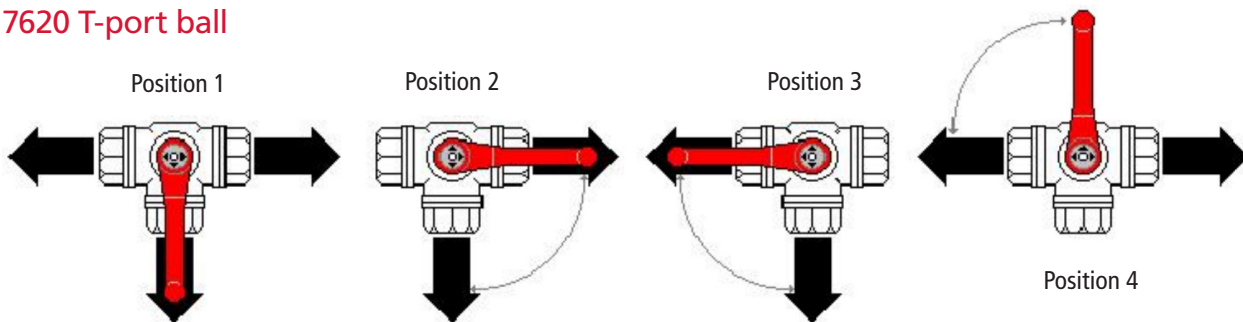
Subject to technical changes and corrections without notice

Three-way ball valve 7620

7620 L-port ball



7620 T-port ball



To use position 3 and 4, disassemble the handle from the stem. Turn the stem 90°, and reassemble the handle according to position 4.

Item number	Description	Connection thread A	Length L	Weight (kg per piece)
0476201080	Ball valve 7620L-8, 1/4" F, handle, L-bore	1/4" F	76	0,66
0476201100	Ball valve 7620L-10, 3/8" F, handle, L-bore	3/8" F	76	0,64
0476201150	Ball valve 7620L-15, 1/2" F, handle, L-bore	1/2" F	82	0,63
0476201200	Ball valve 7620L-20, 3/4" F, handle, L-bore	3/4" F	90	0,86
0476201250	Ball valve 7620L-25, 1" F, handle, L-bore	1" F	106	1,48
0476201320	Ball valve 7620L-32, 1 1/4" F, handle, L-bore	1 1/4" F	120	1,99
0476201400	Ball valve 7620L-40, 1 1/2" F, handle, L-bore	1 1/2" F	142	3,66
0476201500	Ball valve 7620L-50, 2" F, handle, L-bore	2" F	165	5,73

Item number	Description	Connection thread A	Length L	Weight (kg per piece)
0476202080	Ball valve 7620T-8, 1/4" F, handle, T-bore	1/4" F	76	0,66
0476202100	Ball valve 7620T-10, 3/8" F, handle, T-bore	3/8" F	76	0,64
0476202150	Ball valve 7620T-15, 1/2" F, handle, T-bore	1/2" F	82	0,86
0476202200	Ball valve 7620T-20, 3/4" F, handle, T-bore	3/4" F	90	1,48
0476202250	Ball valve 7620T-25, 1" F, handle, T-bore	1" F	106	1,99
0476202251	Ball valve 7620T-25, 1" F, handle, T-bore 180	1" F	106	1,99
0476202320	Ball valve 7620T-32, 1 1/4" F, handle, T-bore	1 1/4" F	120	3,66
0476202400	Ball valve 7620T-40, 1 1/2" F, handle, T-bore	1 1/2" F	142	5,73
0476202500	Ball valve 7620T-50, 2" F, handle, T-bore	2" F	165	8,44

All dimensions in millimetres

Subject to technical changes and corrections without notice